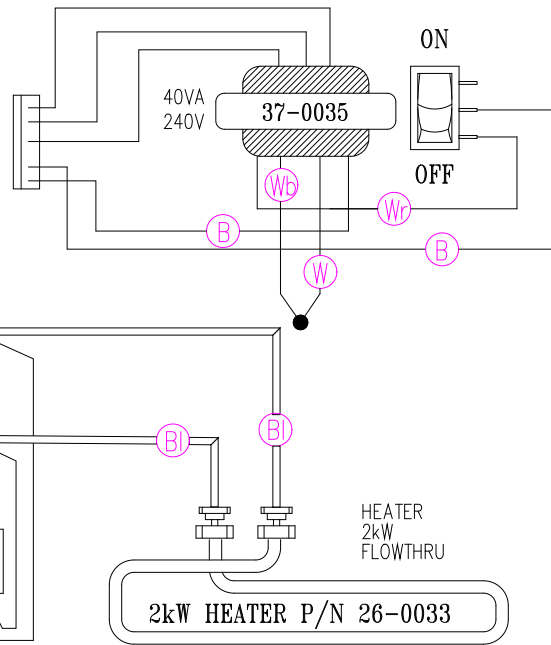
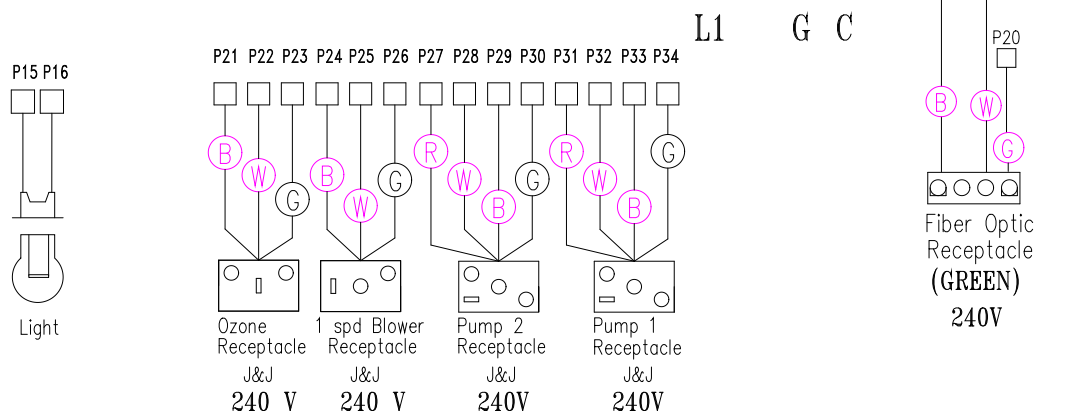
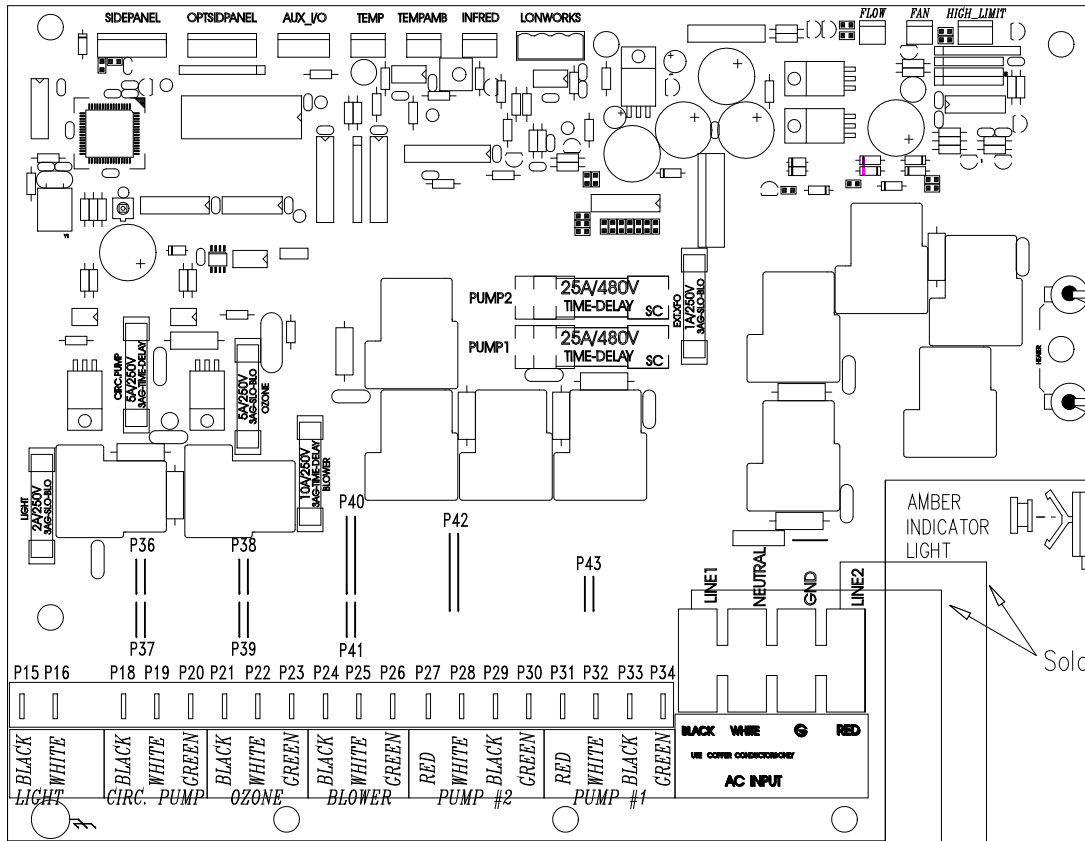
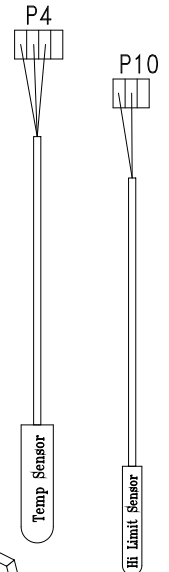


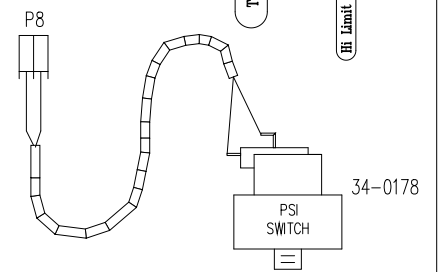
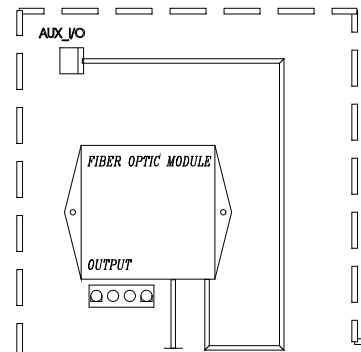
# 33-0025-R5



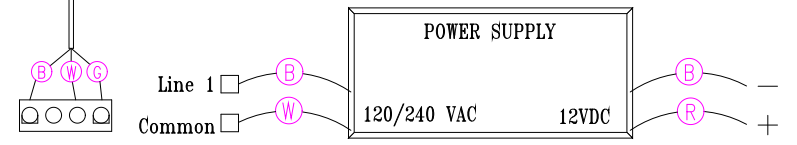
LEGEND	
	- 1/4" QUICK CONNECT
	- 1/4" QUICK CONNECT PIGGYBACK
	- FORK CONNECTOR
	- RING CONNECTOR
	- SOCKET CONNECTOR
	- PIN CONNECTOR



Solder wires prior to connection on PCB.



OPTIONAL



**HYDRO-QUIP**  
CORONA, CA (909) 273-7575

Manufacture Notes:

Approved By:

Dwg. No.  
**D222A0-KQUY68-H**

Drawn: BH  
Date: 06.15.01  
Rev: 8  
Diagram No.: 4710

Wire Color Code	
B - Black	G - Green
Br - Brown	Bl - Blue
R - Red	V - Violet
O - Orange	W - White
Y - Yellow	Gr - Gray